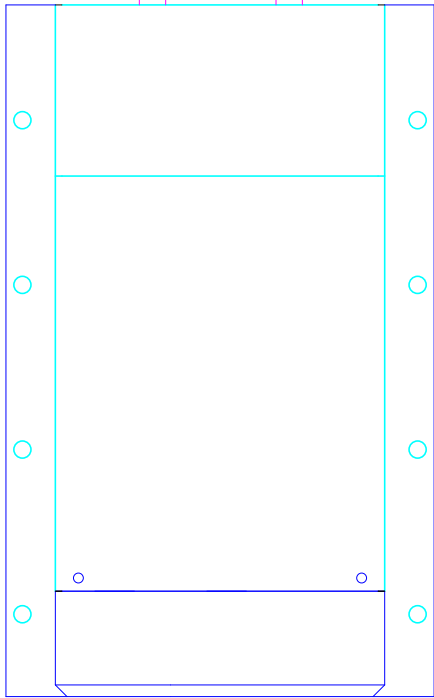


**IntOp workshop interferometer**  
for optical surfaces

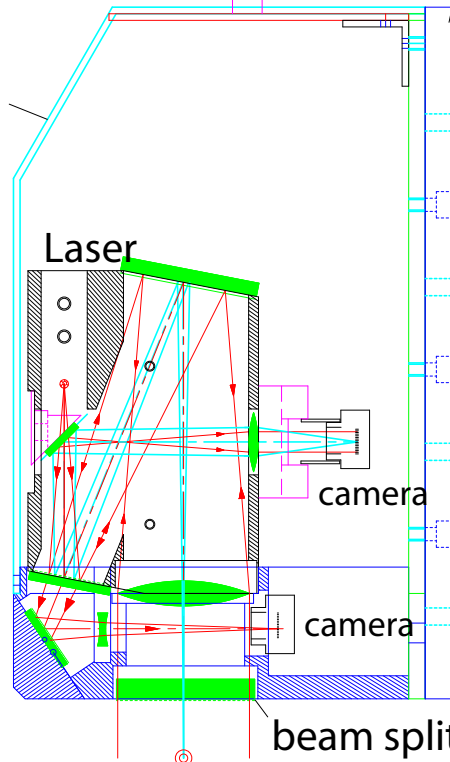
video signal  
1Vss, 75 Ohm

power supply  
12VDC

mounting plate  
210mm x 130mm



cover

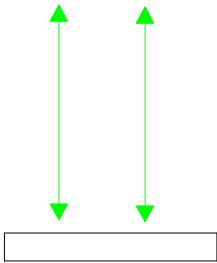


beam splitter

camera

camera

working distance  
max. 250mm



workpiece, max. 30 mm diameter