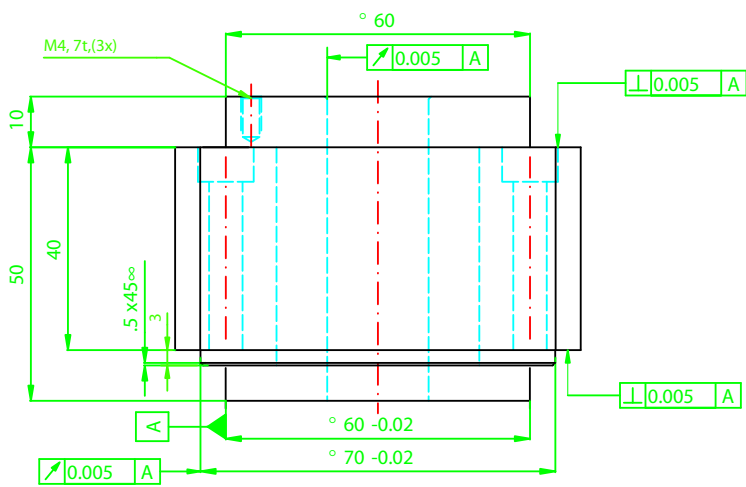


IntOp H-bearing type LLH40-40

max. load:

axial: 100N



radial: 200N

working point distance

max. 30mm to axial bearing zone

